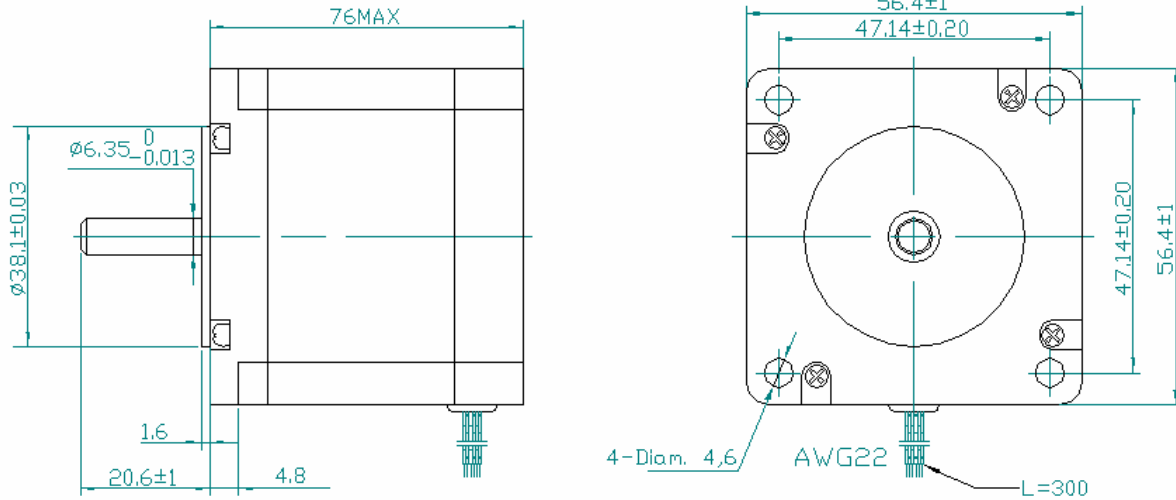




Step Motor 57SH76

High Torque Hybrid - 200 step

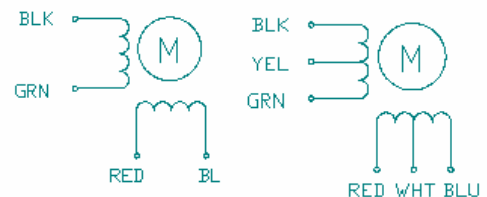
Delta Precision Motors Ltd.
 A21, 4/F - Sheung Shui Plaza
 3 Ka Fu Close
 Sheung Shui, N.T
 Hong Kong
 www.dpmotor.com



57SH.-.A single shaft
 57SH.-.B double shaft

Model		57SH76-1A	57SH76-2A	57SH76-3A	57SH76-4A
1	Step angle	1,8°	1,8°	1,8°	1,8°
2	Step angle accuracy (full step, no load)	% ± 5%	% ± 5%	% ± 5%	% ± 5%
3	Rated Voltage	V 8,6	V 4,5	V 3	V 3,2
4	Current / Phase	A 1	A 2	A 3	A 2,8
5	Resistance / Phase	Ω 8,6	Ω 2,25	Ω 1	Ω 1,13
6	Inductance / Phase	mH 14	mH 3,6	mH 1,6	mH 3,6
7	Holding Torque	Ncm 135	Ncm 135	Ncm 135	Ncm 189
8	Rotor Inertia	g-cm ² 480	g-cm ² 480	g-cm ² 480	g-cm ² 480
9	Weight	Kg 1	Kg 1	Kg 1	Kg 1
10	Number of leads	n°. 6	n°. 6	n°. 6	n°. 4

- Resistance accuracy ± 10%
- Inductance accuracy ± 20%
- Temperature rise 80° C max. (rated current, 2 phase on)
- Ambient temperature -10° C - + 50° C
- Insulation resistance 100 M Ω min., 500 VDC
- Dielectric strength 500 VAC for one minute
- Shaft radial play 0,06 max. (450 g-load)
- Shaft axial play 0,08 max. (450 g-load)



Available options:

Motor modifications: custom winding, special bearing, special tap.
 Shaft modifications: flat, pinion, keyway, length.
 Leadwire modifications: wire type, wire color, wire length, connector installation.